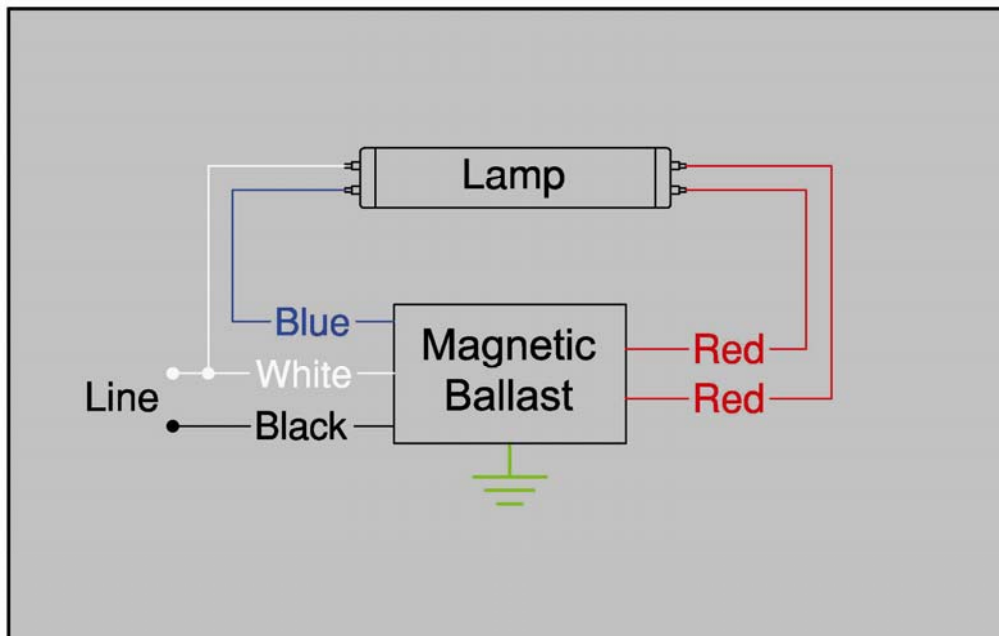
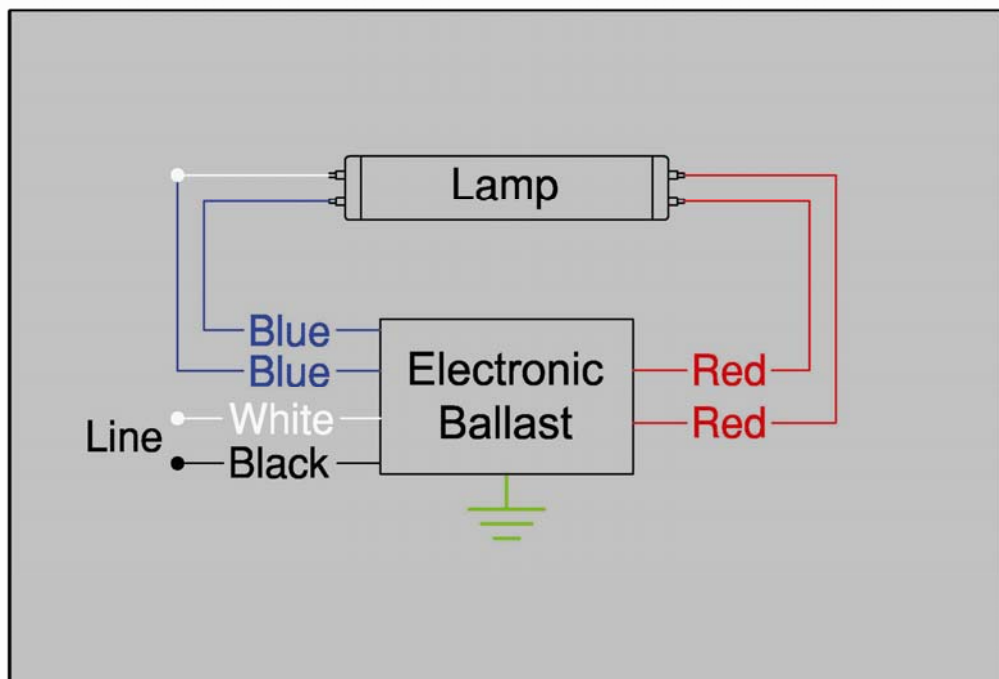


Wiring Diagram for Retrofitting Magnetic Rapid and Trigger Start Normal Power Factor Ballasts To Electronic Pre-heat (Rapid) Start Ballasts

Magnetic Rapid and Trigger Start Wiring Diagram



Electronic Pre-Heat (Rapid) Start Wiring Diagram



Notes: Applicable for 120V magnetic T12 to either T8 or T12 electronic fixtures.
Always disconnect power to lighting fixture prior to servicing the fixture