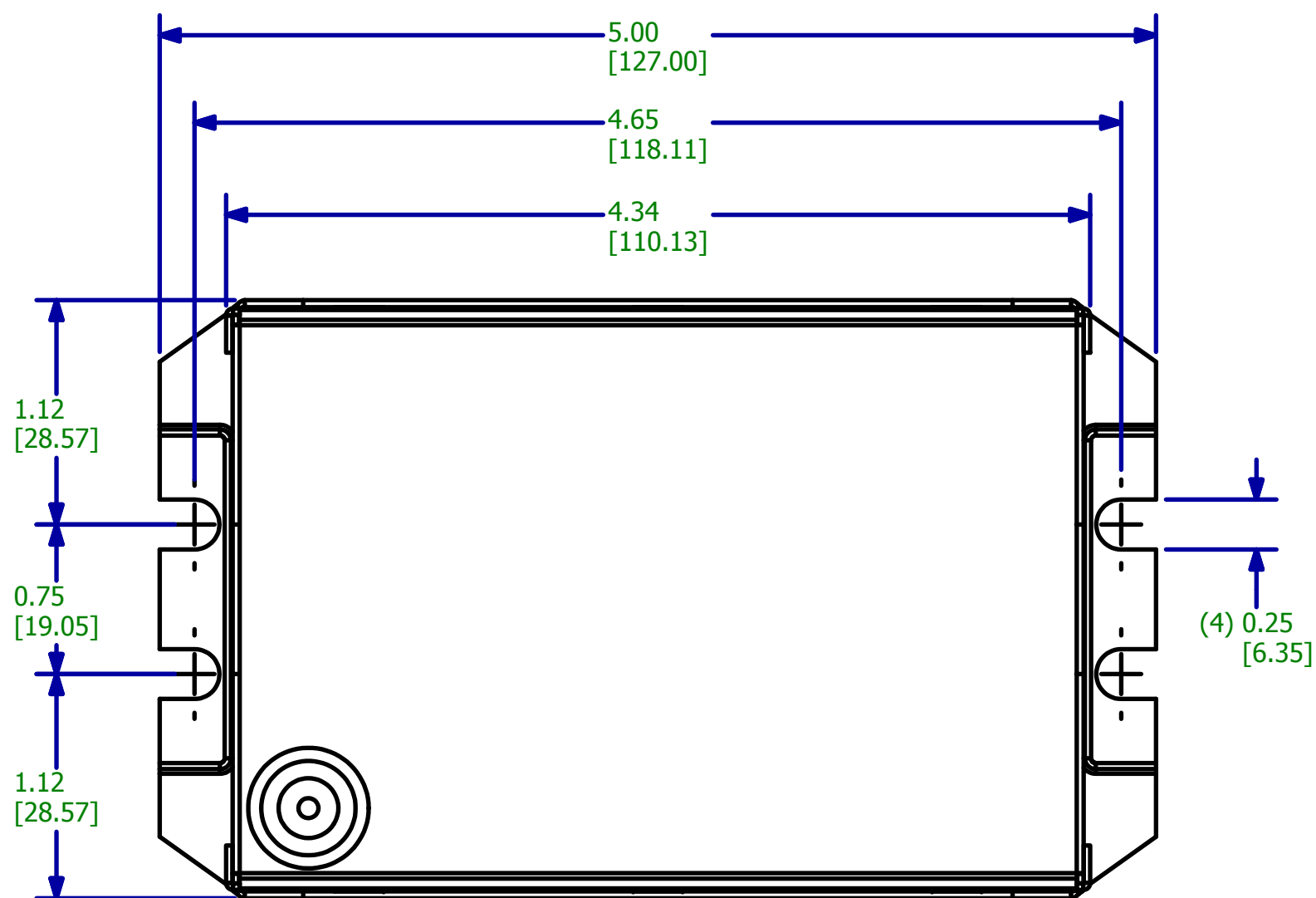
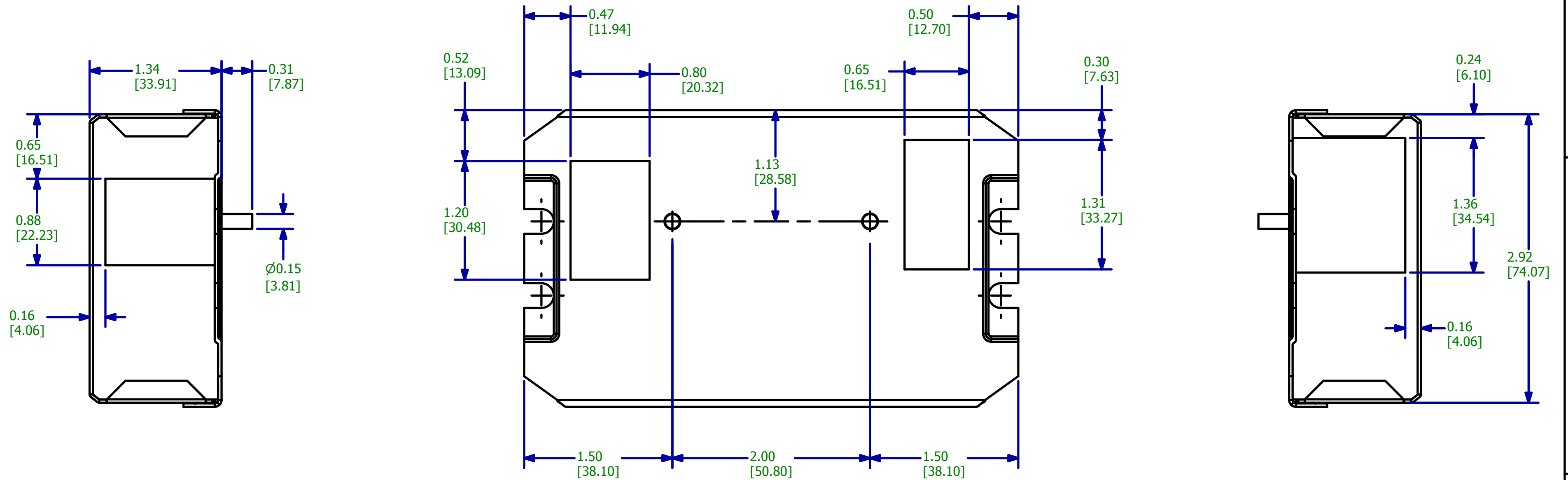


REV	DESCRIPTION OF CHANGE	DATE	ENG	MKT	OTHR
A	INITIAL DESIGN AND RELEASE	06/05/08	-	RP	-



PHYSICAL
CASE COLOR: WHITE

**PROPRIETARY**  
 THIS MATERIAL IS THE PROPERTY OF AND PROPRIETARY TO ROBERTSON TRANSFORMER CO. AND IS NOT TO BE DUPLICATED NOR DISCLOSED TO OTHERS OR USED FOR OTHER THAN AUTHORIZED PURPOSES WITHOUT THE WRITTEN PERMISSION OF ROBERTSON TRANSFORMER CO. THIS MATERIAL MUST BE RETURNED TO ROBERTSON TRANSFORMER CO. WHEN THE HOLDER NO LONGER REQUIRES ITS USE FOR AUTHORIZED PURPOSES.



TOLERANCE INFORMATION:  
 FRACTIONAL DIMENSIONS ±1/64  
 THREE PLACE DEC. ±.010  
 TWO PLACE DEC. ±.015  
 ANGLES ±1°  
 UNLESS SPECIFIED OTHERWISE

DRAWN: MR	DATE: 6/4/2008	MATERIAL: NOTED	SCALE: 1:1 SIZE: C
DESCRIPTION: DSW P-CASE		DWG. NO. 2400000	

\*inches  
[mm]