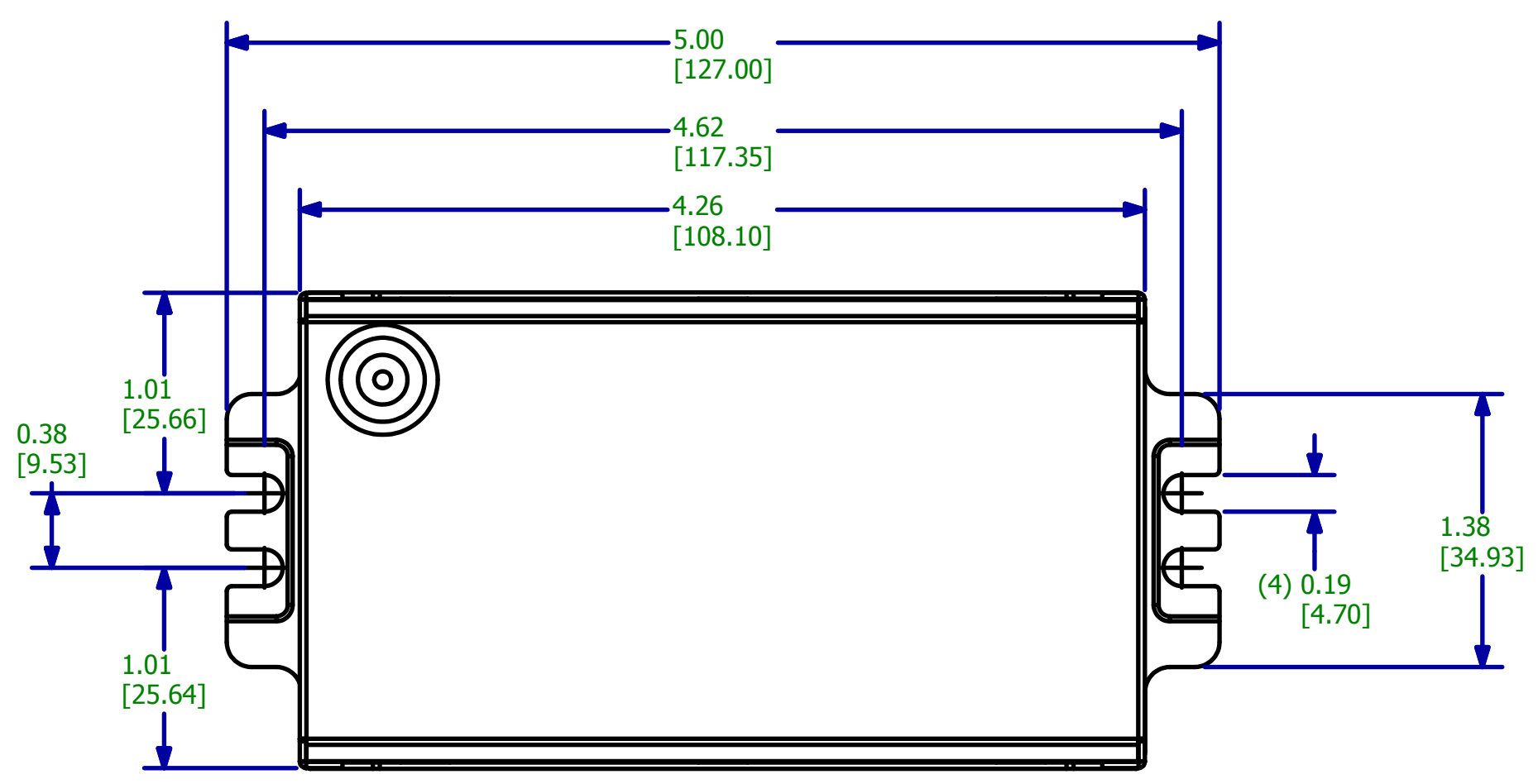
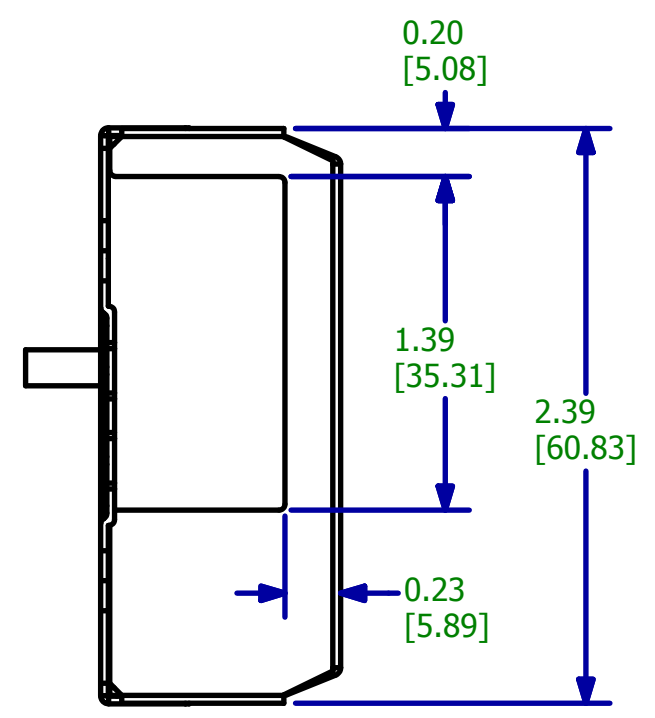
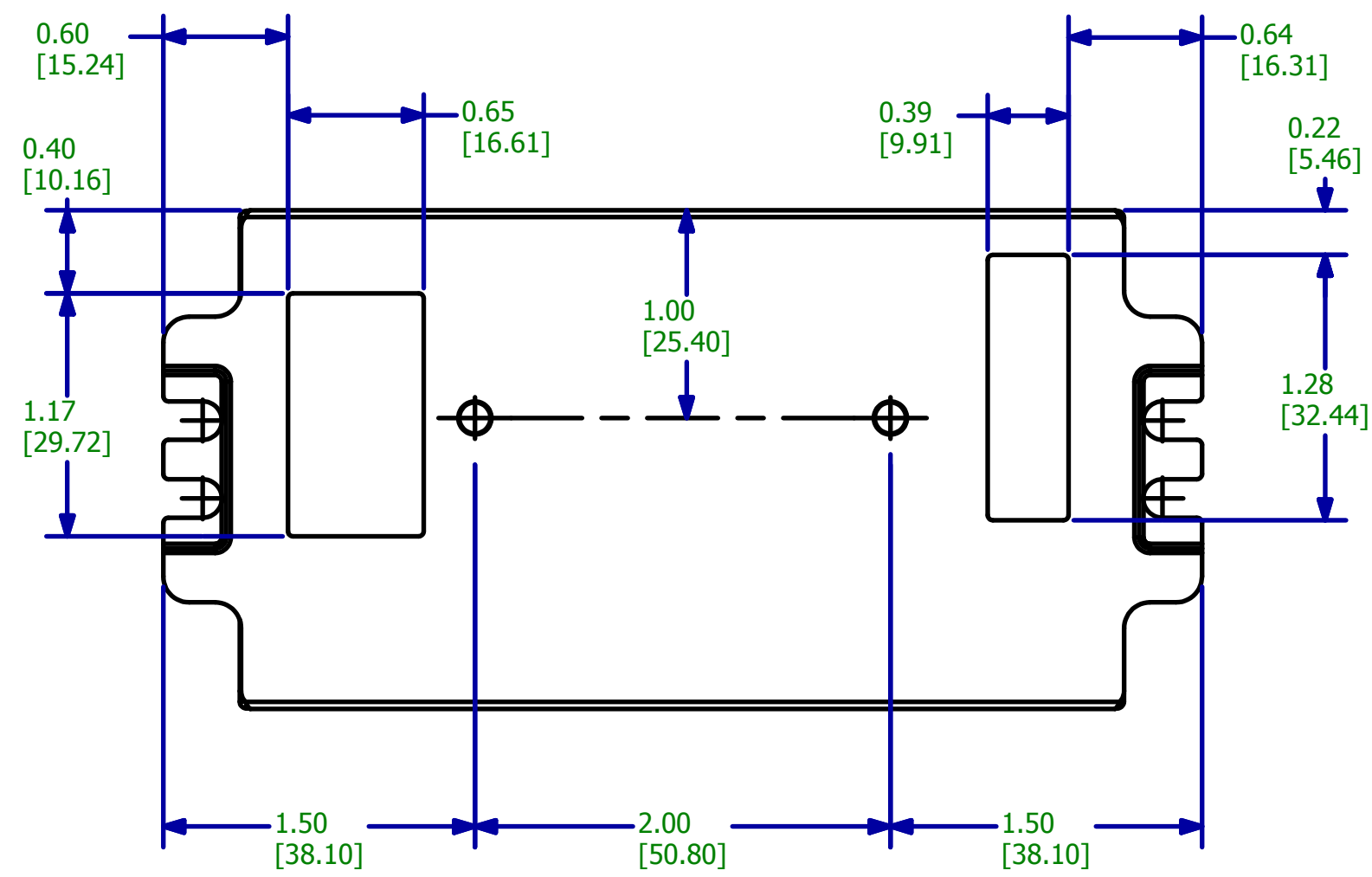
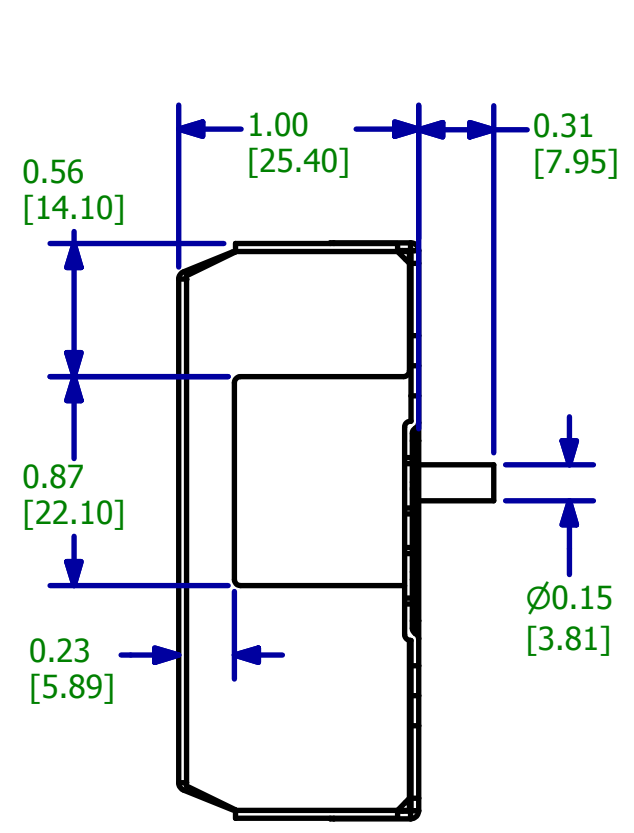


| REV | DESCRIPTION OF CHANGE | DATE | ENG | MKT | OTHR |
|-----|----------------------------|----------|-----|-----|------|
| A | INITIAL DESIGN AND RELEASE | 06/05/08 | - | RP | - |



PHYSICAL
CASE COLOR: WHITE

PROPRIETARY
THIS MATERIAL IS THE PROPERTY OF AND PROPRIETARY TO ROBERTSON TRANSFORMER CO. AND IS NOT TO BE DUPLICATED NOR DISCLOSED TO OTHERS OR USED FOR OTHER THAN AUTHORIZED PURPOSES WITHOUT THE WRITTEN PERMISSION OF ROBERTSON TRANSFORMER CO. THIS MATERIAL MUST BE RETURNED TO ROBERTSON TRANSFORMER CO. WHEN THE HOLDER NO LONGER REQUIRES ITS USE FOR AUTHORIZED PURPOSES.

TOLERANCE INFORMATION:
FRACTIONAL DIMENSIONS ±1/64
THREE PLACE DEC. ±.010
TWO PLACE DEC. ±.015
ANGLES ±1°
UNLESS SPECIFIED OTHERWISE

*inches [mm]

Robertson™
INNOVATIVE LIGHTING SOLUTIONS
13611 THORNTON ROAD, BLUE ISLAND, IL 60406

| | | | |
|----------------------------|-------------------|---------------------|-----------------------|
| DRAWN: MR | DATE: 6/5/2008 | MATERIAL: NOTED | SCALE: 1:1 SIZE: C |
| DESCRIPTION: DSW M-CASE | | DWG. NO. 2800000 | |