

## BLU0100A04900

Ballast Type: Electromagnetic  
 Input Voltage: 120VAC±5%  
 Input Frequency: 60 Hz.

Circuit Type: Reactor  
 Lamp Type: High Pressure Sodium  
 Unit Color: Raw

Weight: 3.42 lb.  
 Carton Quantity: Individual / 8 Master  
 Skid Quantity: 480

**ELECTRICAL SPECIFICATION:**

Line Voltage (V)	ANSI Lamp Type	Lamp Watts	Line Current (A)			Input Power (W)	Power Factor	Nominal Open Circ. Volt.	Wiring Diagram
			Operating	Open Circuit	Starting				
120	S54-100W	100	2.30	0	3.10	110	≤0.50	120	301

**PERFORMANCE:**

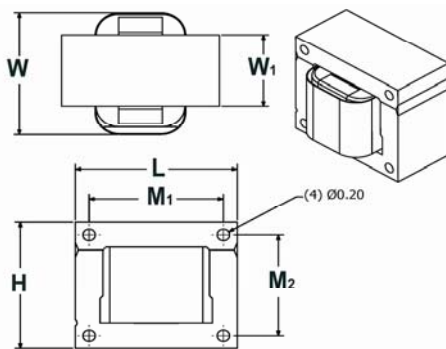
- Electromagnetic reactor
- Normal power factor
- Open Core & Coil
- Class H Insulation (180°C)

**APPLICATION:**

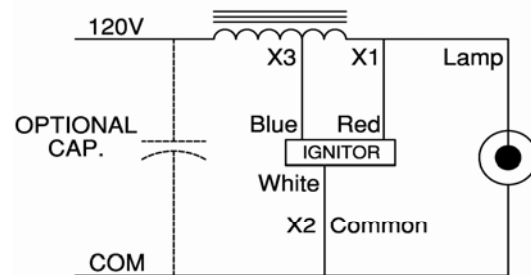
- Minimum starting temperature: -40°F/-40°C
- Remote mounting (ballast to lamp): 5ft.

**SAFETY:**

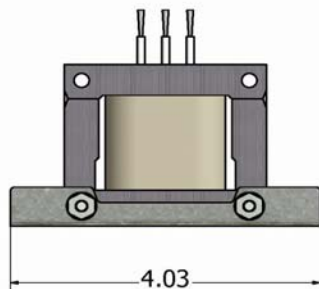
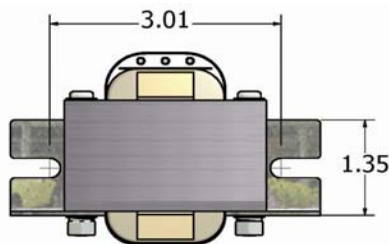
- UL/1029 Recognized component
- CSA/C22.2 certified
- UL Coil Temperature Code: A

**STYLE:**
**401**


H	L	W	W1	M1	M2
2 7/32	2 5/8	2 23/32	1 4/7	2 3/16	1 3/4
2.22	2.63	2.72	1.56	2.19	1.75
5.64cm	6.68cm	6.91cm	3.96cm	5.56cm	4.45cm

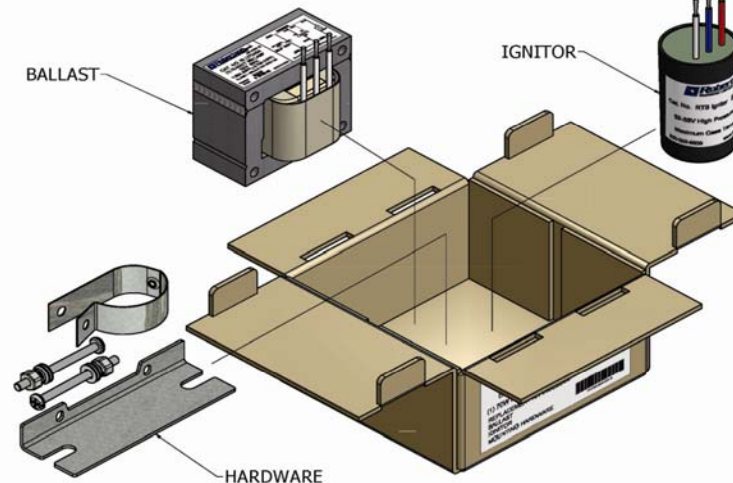
**WIRING DIAGRAM:**
**301**


Standard lead lengths: 12"


**BALLAST KIT INCLUDES:**

- 1 BALLAST
- 1 MOUNTING BRACKET (BALLAST)
- 1 CYLINDRICAL IGNITOR (698003)
- 1 MOUNTING STRAP (IGNITOR)

- 2 MACHINE SCREWS # 8-32
- 2 HEX MACHINE SCREW NUTS # 8-32
- 2 LOCK WASHERS
- 4 FLAT WASHERS


**WARRANTY**

Robertson Worldwide warrants to the purchaser that this ballast will be free from defects in material or workmanship for a period of 2 years from date of manufacture when properly installed and under normal conditions of use. For more information on Robertson Worldwide's ballasts, call 1-800-323-5633 or visit [www.robertsonww.com](http://www.robertsonww.com). Specifications subject to change without notice.

Revised 9/29/08