

## PSA132T8HEMV

Ballast Type: Electronic  
 Input Voltage: 120-277VAC ±10%  
 Input Frequency: 50/60 Hz.

Starting Method: Program Start  
 Lamp Connection: Series  
 Unit Color: Black

Unit Weight: 0.95 lbs  
 Carton Quantity: 40  
 Skid Quantity: 1200

### ELECTRICAL SPECIFICATION:

Line Voltage (V)	Lamp Type	Lamp Watts	No. of Lamps	Line Current (A)	Input Power (W)	Power Factor	Max Current THD (%)	Current Crest Factor	Ballast Factor	Wiring Diagram	B.E.F.
120	F25T8	25	1	0.21	25	≥0.99	≤10	≤1.5	1.00	003	4.07
277	F25T8U			0.09		≥0.97	≤11				4.04
120	F32T8/ES/28	28	1	0.28	27	≥0.99	≤10	≤1.4	0.91	003	3.37
277				0.10		≥0.98	≤11				3.36
120	F32T8/ES/30	30	1	0.24	28	≥0.99	≤10	≤1.4	0.90	003	3.17
277				0.06		29					≥0.98
120	F32T8	32	1	0.25	30	≥0.99	≤10	≤1.4	0.91	003	3.02
277	F32T8U			0.11							

### PERFORMANCE:

- High efficiency electronic ballast
- Program Start
- Series operation
- High power factor
- Encased & potted
- Sound rated A
- Internal surge protection
- Meets ANSI standard C82.11
- Meets ANSI standard C62.41
- Meets FCC Part 18 (Class B) EMI and RFI consumer limits
- Meets NEMA Premium/CEE Standards for Energy Efficiency

### APPLICATION:

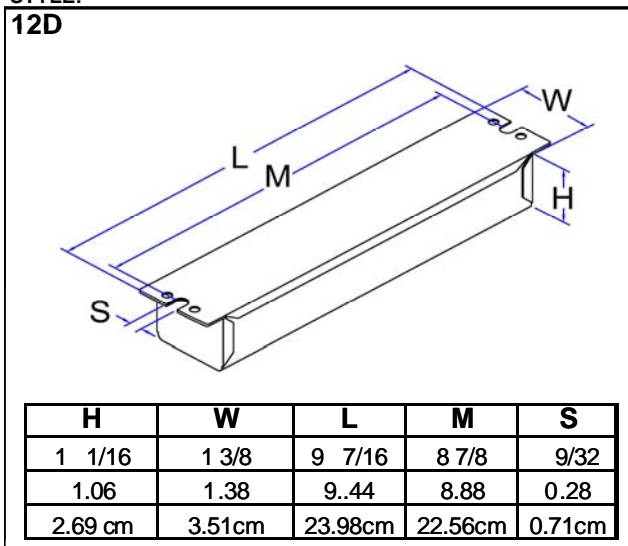
- Maximum case temperature: 167°F/75°C
- Maximum ambient temperature: 104°F/40°C
- Minimum starting temperature Std. lamps: 0°F/-18°C
- Minimum starting temperature ES lamps: 60°F/16°C
- Lamp starts: >50,000 starts
- Remote mounting: 18 ft.

### SAFETY:

- UL/935(Class P, Type HL, Type CC, Type 1 outdoor) listed
- CSA certified (cUL)
- Inherent Thermal Protection
- No PCB's

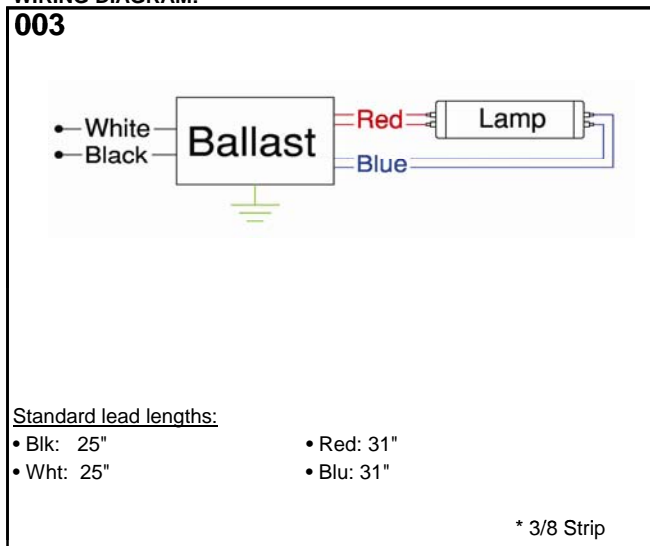
### STYLE:

**12D**



### WIRING DIAGRAM:

**003**



### WARRANTY:

Robertson Worldwide warrants to the purchaser that this ballast will be free from defects in material or workmanship for a period of 5 years from date of manufacture when properly installed and under normal conditions of use. For more information on Robertson Worldwide ballasts, call 1-800-323-5633 or visit [www.robertsonww.com/](http://www.robertsonww.com/) Specifications subject to change without notice.

Revised 7/24/09

**ROBERTSON WORLDWIDE**

13611 Thornton Rd, Blue Island, IL 60406, TEL: 1-800-323-5633, FAX: 1-877-388-2420, [www.robertsonww.com](http://www.robertsonww.com)