

## PSA232T8HEMV

Ballast Type: Electronic  
Input Voltage: 120-277VAC ±10%  
Input Frequency: 50/60 Hz.

Starting Method: Program Start  
Lamp Connection: Series  
Unit Color: Black

Unit Weight: 0.95 lbs  
Carton Quantity: 40  
Skid Quantity: 1200

### ELECTRICAL SPECIFICATION:

Line Voltage (V)	Lamp Type	Lamp Watts	No. of Lamps	Line Current (A)	Input Power (W)	Power Factor	Max Current THD (%)	Current Crest Factor	Ballast Factor	Wiring Diagram	B.E.F.
120	F25T8	25	2	0.40	48	≥1.00	≤10	≤1.5	1.03	059	2.13
277	F25T8U			0.18	47	≥0.97			1.02		2.15
120	F32T8/ES/28	28	2	0.44	53	≥1.00	≤10	≤1.5	0.91	059	1.73
277				0.19	52						≥0.98
120	F32T8/ES/30	30	2	0.46	56	≥1.00	≤10	≤1.5	0.91	059	1.62
277				0.20	55						≥0.98
120	F32T8 F32T8U	32	2	0.48	58	≥1.00	≤10	≤1.5	0.88	059	1.52
277				0.21	56						≥0.98

### PERFORMANCE:

- High efficiency electronic ballast
- Program Start
- Series operation
- High power factor
- Encased & potted
- Sound rated A
- Internal surge protection
- Meets ANSI standard C82.11
- Meets ANSI standard C62.41
- Meets FCC Part 18 (Class B) EMI and RFI consumer limits
- Meets NEMA Premium/CEE Standards for Energy Efficiency

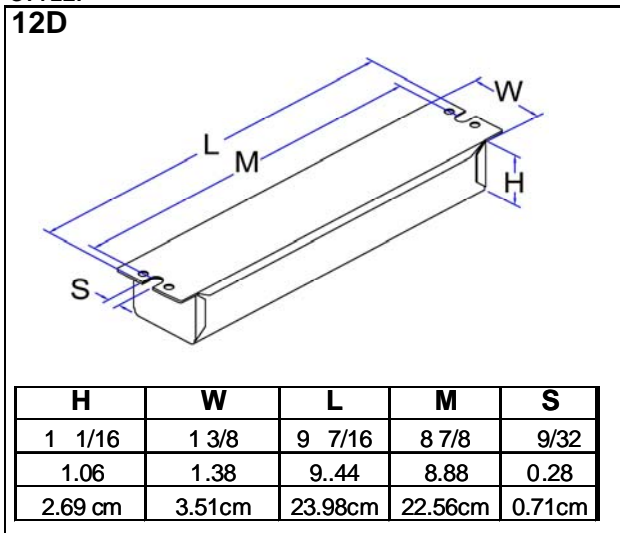
### APPLICATION:

- Maximum case temperature: 167°F/75°C
- Maximum ambient temperature: 104°F/40°C
- Minimum starting temperature Std. lamps: 0°F/-18°C
- Minimum starting temperature ES lamps: 60°F/16°C
- Lamp starts: >50,000 starts
- Remote mounting: 18 ft.

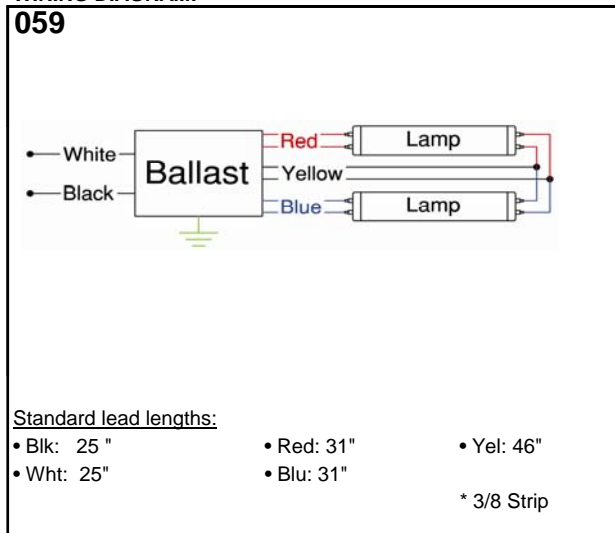
### SAFETY:

- UL/935 (Class P, Type HL, Type CC, Type 1 outdoor) listed
- CSA certified (cUL)
- Inherent Thermal Protection
- No PCB's

### STYLE:



### WIRING DIAGRAM:



### WARRANTY:

Robertson Worldwide warrants to the purchaser that this ballast will be free from defects in material or workmanship for a period of 5 years from date of manufacture when properly installed and under normal conditions of use. For more information on Robertson Worldwide ballasts, call 1-800-323-5633 or visit [www.robertsonww.com](http://www.robertsonww.com). Specifications subject to change without notice.

Revised 7/24/09

### ROBERTSON WORLDWIDE

13611 Thornton Rd, Blue Island, IL 60406, TEL: 1-800-323-5633, FAX: 1-877-388-2420, [www.robertsonww.com](http://www.robertsonww.com)