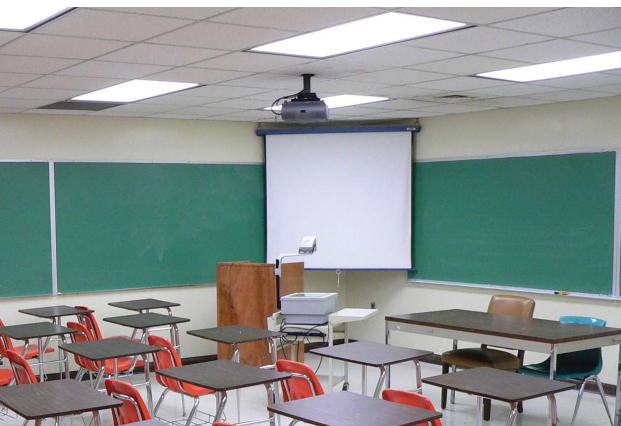


# *We've Put Green In A New Light*



***EasyDim***<sup>™</sup>  
*from Robertson Worldwide*

EasyDim is a 3-Step Dimming Ballast that operates two F32T8 lamps using existing wiring and standard wall switches.



- Multi-Volt, Program Start, Energy Efficient
- 3 Levels Of Dimming Provides Maximum Lamp Life And Performance
- Supports Sustainable Lighting Design
- Complies With State And Local Building Codes
- Easy Installation – No Special Wiring Or Control Devices

It's so Easy – this is how Robertson Does Green

**Robertson**<sup>™</sup>  
INNOVATIVE LIGHTING SOLUTIONS

***ON, AND ON, AND ON***

### PSL232T8MV3D

Ballast Type: Electronic	Starting Method: Program Start	Unit Weight: 1.2 lb
Input Voltage: 120-277VAC ±10%	Lamp Connection: Series	Carton Quantity: 10
Input Frequency: 50/60 Hz.	Unit Color: Black	Skid Quantity: 1000

**ELECTRICAL SPECIFICATION:**

Line Voltage (V)	Lamp Type	Lamp Watts	No. of Lamps	Line Current (A)	Input Power (W)	Power Factor	Max Current THD (%)	Current Crest Factor	Ballast Factor	B.E.F.	Dim Setting
120-277	F32T8 F32T8U	32	2	0.58-0.25	70	≥0.90	≤10	<1.7	1.00	1.43	High
				0.29-0.13	35				0.40	1.14	Med
				0.13-0.06	16				0.10	0.62	Low
120-277	F25T8	25	2	0.43-0.19	54	≥0.90	≤12	<1.7	1.04	2.02	High
				0.23-0.10	27				0.45	1.62	Med
				0.10-0.06	12				0.11	0.78	Low

Note: Data at 60Hz

**PERFORMANCE:**

- Electronic ballast
- Program Start
- Series operation
- High power factor
- Encased & potted
- Sound rated A
- Meets FCC Part 18 (Class A) for EMI and RFI non-consumer limits
- Meets ANSI standard C82.11
- Meets ANSI standard C62.41
- Meets efficiency specifications for California Title 24
- Step dimming (100% - 40% - 10%)
- Operating frequency 42-72 kHz

**APPLICATION:**

- Maximum case temperature: 167°F/75°C
- Maximum ambient temperature: 104°F/40°C
- Minimum starting temperature: 50°F/10°C
- Lamp starts: >50,000 starts
- Remote mounting: 10 ft.

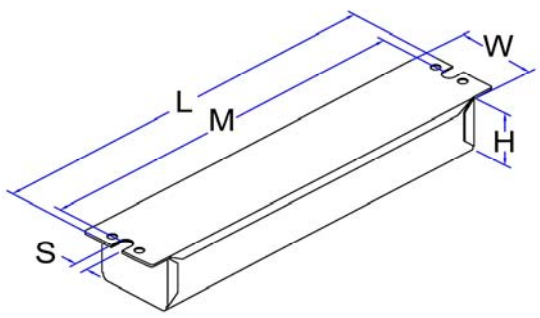
**SAFETY:**

- UL/935 (Class P, Type HL, Type 1 outdoor) listed
- CSA certified (cUL)
- Inherent Thermal Protection
- No PCB's

SW1	SW2	LIGHT LEVEL
ON	OFF	10%
OFF	ON	40%
ON	ON	100%

**CAN SIZE:**

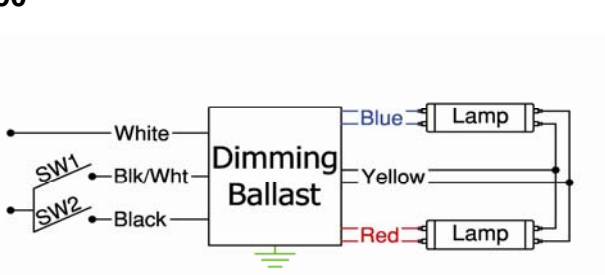
**12A**



H	W	L	M	S
1 5/32	1 11/16	9 1/2	8 15/16	9/32
1.16	1.69	9.50	8.94	0.28
2.95cm	4.29cm	24.13cm	22.71cm	0.71cm

**WIRING DIAGRAM**

**090**



Standard lead lengths:

- Blk: (2) 24"
- Red: (2) 32"
- Yel: (2) 48"
- Wht: 24"
- Blu: (2) 32"

**WARRANTY:**

Robertson Worldwide warrants to the purchaser that this ballast will be free from defects in material or workmanship for a period of 2 years from date of manufacture when properly installed and under normal conditions of use. For more information on Robertson Worldwide's ballasts, call 1-800-323-5633 or visit [www.robertsonww.com](http://www.robertsonww.com). Specifications subject to change without notice.

Revised 7/23/09

**ROBERTSON WORLDWIDE**

 13611 Thornton Rd, Blue Island, IL 60406, TEL: 1-800-323-5633, FAX: 1-877-388-2420, [www.robertsonww.com](http://www.robertsonww.com)