

POWER FACTOR MODULES

Robertson Worldwide offers a line of Power Factor Modules for single-ended lamp applications. Convert your normal power factor fixtures to High Power Factor.

[MINI] Mini Power Factor Modules are dry, non-protected.

Lamp Watts	Compatible Ballast Model No.	No. of Ballasts	PFM Model No.	Voltage	Hz	Case Style
7/9	068-2	1	M1PFM68	120	60	M1
	S68	1	M1PFM68	120	60	M1
	SP68	1	M1PFM68	120	60	M1
	068-2	2	M1PFM2-68	120	60	M2
	S68	2	M1PFM2-68	120	60	M2
	SP68	2	M1PFM2-68	120	60	M2
13	015	1	M1PFM13	120	60	M3
	S1	1	M1PFM13	120	60	M3
	SP2	1	M1PFM13	120	60	M3
	01527	1	M1PFM1327	277	60	M1
	S1527	1	M1PFM1327	277	60	M1
	01527	2	M1PFM2-1327	277	60	M2
	S1527	2	M1PFM2-1327	277	60	M2
18	OC18DU	1	M1PFM18	120	60	M4
	S18PSC	1	M1PFM18	120	60	M4
26	OC26DU	1	M1PFM28	120	60	M4
	S28P	1	M1PFM28	120	60	M4
28	OC28C	1	M1PFM28	120	60	M4
	S28C	1	M1PFM28	120	60	M4

Case Style M1

Dimensions for Case Style M1

H	1"	1.00	2.54 cm
W	9/16"	0.56	1.43 cm
L	1-1/4"	1.25	3.18 cm
M	-	-	-
Ø	3/16"	0.19	0.47 cm

Case Style M2

Dimensions for Case Style M2

H	1 3/16"	1.19	3.02 cm
W	11/16"	0.69	1.75 cm
L	1-1/2"	1.50	3.81 cm
M	-	-	-
Ø	3/16"	0.19	0.47 cm

Case Style M3

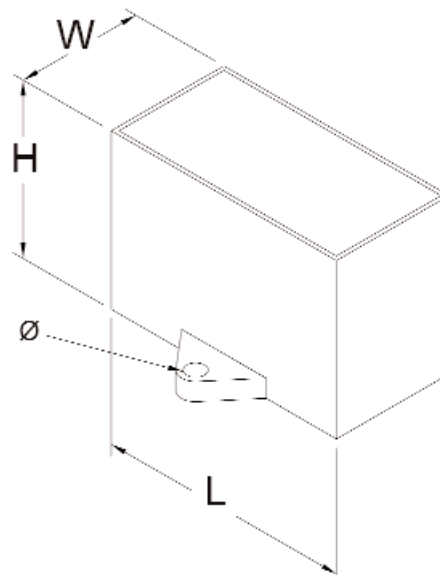
Dimensions Case Style M3

H	1"	1.00	2.54 cm
W	5/8"	0.63	1.60 cm
L	1-1/2"	1.50	3.81 cm
M	-	-	-
Ø	3/16"	0.19	0.47 cm

Case Style M4

Dimensions (in inches) Case Style M4

H	1 3/16"	1.19	3.02 cm
W	13/16"	0.81	2.06 cm
L	1-1/2"	1.50	3.81 cm
M	-	-	-
Ø	3/16"	0.19	0.47 cm



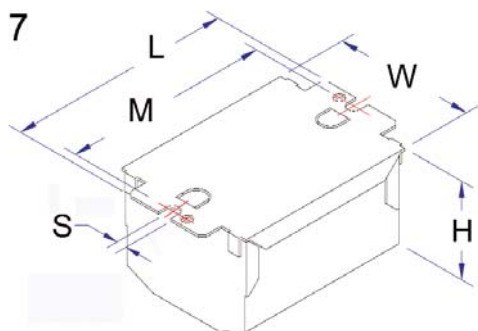
POWER FACTOR MODULES

Robertson Worldwide offers a line of Power Factor Modules for single-ended lamp applications. Convert your normal power factor fixtures to High Power Factor.

[STANDARD] Standard Power Factor Modules are dry, non-protected.

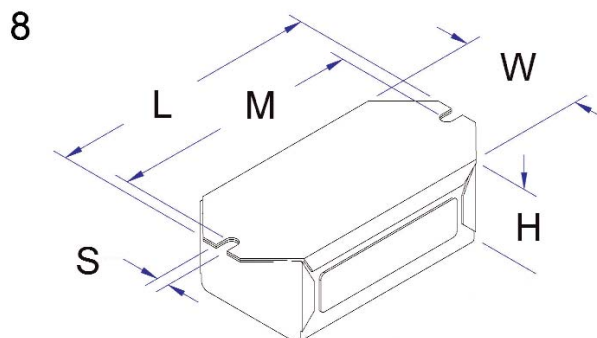
Lamp Watts	Compatible Ballast Model No.	No. of Ballasts	PFM Model No.	Voltage	Hz	Case Style
7/9	068-2	1	PFM68	120	60	7
	S68	1	PFM68	120	60	7
	SP68	1	PFM68	120	60	7
	04827	1	PFM7927	277	60	7
	S7927	1	PFM7927	277	60	7
	SP4827	1	PFM7927	277	60	7
	068-2	2	PFM2-68	120	60	8
	S68	2	PFM2-68	120	60	8
	SP68	2	PFM2-68	120	60	8
	04827	2	PFM2-7927	277	60	8
	S7927	2	PFM2-7927	277	60	8
	SP4827	2	PFM2-7927	277	60	8
10	S13PSC	1	PFM10D	120	60	7
13	015	1	PFM13	120	60	7
	S1	1	PFM13	120	60	7
	S13PSC	1	PFM13D	120	60	7
	SP2	1	PFM13	120	60	7
	01527	1	PFM1327	277	60	7
	S1527	1	PFM1327	277	60	7
	015	2	PFM2-13	120	60	8
	S1	2	PFM2-13	120	60	8
	SP2	2	PFM2-13	120	60	8
	01527	2	PFM2-1327	277	60	8
	S1527	2	PFM2-1327	277	60	8
	18	OC18DU	1	PFM18	120	60
S18PSC		1	PFM18	120	60	7
OC18DU		2	PFM218	120	60	8
S18PSC		2	PFM218	120	60	8
26	OC26DU	1	PFM28	120	60	7
	S28P	1	PFM28	120	60	7
	OC26DU	2	PFM228	120	60	8
28	O28C	1	PFM28	120	60	7
	S28C	1	PFM28	120	60	7
	O28C	2	PFM228	120	60	8
	S28C	2	PFM228	120	60	8

Case Style 7/8



Dimensions for Case Style 7

H	1 7/16"	1.44	3.66 cm
W	1 7/8"	1.88	4.78 cm
L	3"	3.00	7.62 cm
M	2 3/4"	2.75	6.99 cm
S	3/16"	0.19	0.47 cm



Dimensions for Case Style 8

H	1 5/8"	1.63	4.14 cm
W	2 3/16"	2.81	7.14 cm
L	4 3/4"	4.75	12.07 cm
M	4 3/8"	4.38	11.13 cm
S	7/32"	0.22	0.56 cm