

IGNITORS

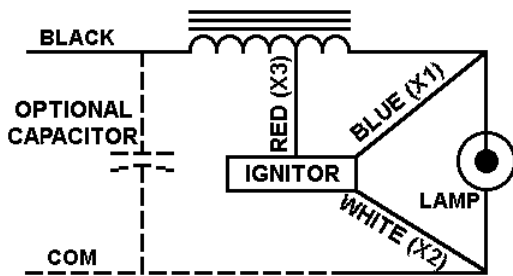
10/26/04

Lamp Watts	Lamp Type	Circuit Type	Ignitor Model No.	Ignitor Style	Figure
35-150	HPS	Reactor	698002	Standard 2-hole	11
35-150	HPS	Reactor	698001	1-hole	12
35-150	HPS	Reactor	698003	Round	13A
50-150	MH	Reactor	698007	Round	13A
200-400	HPS	CWA	698005	Round	13A
1000	HPS	CWA	698006	Round	13B

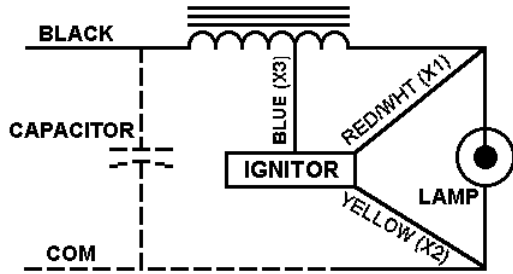
[Notes]: Maximum ignitor case temperature = 90°C

Wiring Diagrams

HPS Reactor



MH Reactor



HPS - CWA

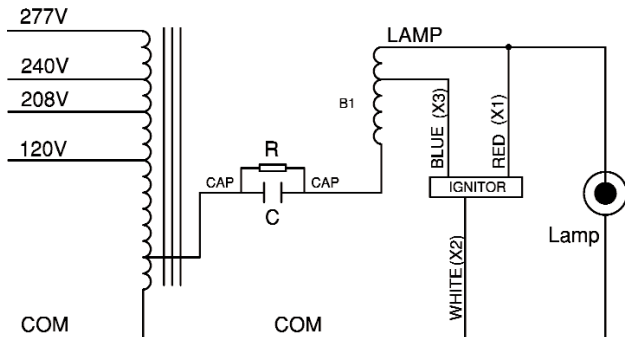
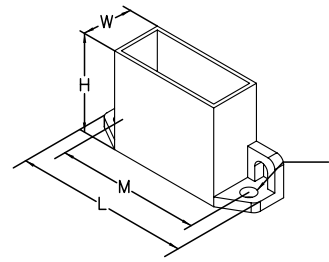


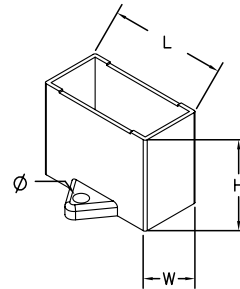
Figure 11



11

H	1 1/4"	1.25	3.18 cm
W	1 5/32"	1.16	2.95 cm
L	2 1/4"	2.25	5.72 cm
M	1 27/32"	1.84	4.67 cm
Ø	5/32"	0.16	0.41 cm

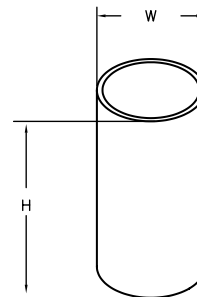
Figure 12



12

H	1 5/32"	1.16	2.95 cm
W	11/16"	0.69	1.75 cm
L	1 7/16"	1.44	3.66 cm
M	-	-	-
Ø	5/32"	0.16	0.41 cm

Figure 13



13A

H	2 1/8"	2.13	5.41 cm
W	1 1/4"	1.25	3.18 cm

13B

H	2 1/2"	2.50	6.35 cm
W	1 1/4"	1.25	3.18 cm