

CMH0400H04912

Ballast Type: Electromagnetic
 Input Voltage VAC +/-5%: 120/208/240/277
 Input Frequency: 60 Hz.

Circuit Type: CWA
 Lamp Type: 400W-M155/M135
 Unit Color: Raw

Weight: 11.9 lb.
 Carton Quantity: Individual
 Skid Quantity: 132

ELECTRICAL SPECIFICATION

| Line Voltage (V) | Line Current (A) | | | Input Power (W) | Power Factor | Nominal Open Circuit Voltage | UL Coil Temp. Code | Fuse | Wiring Diagram |
|------------------|------------------|--------------|----------|-----------------|--------------|------------------------------|--------------------|------|----------------|
| | Operating | Open Circuit | Starting | | | | | | |
| 120 | 3.80 | 2.49 | 3.05 | 454 | ≥0.90 | 270 | D | 10 | 313 |
| 208 | 2.15 | 1.30 | 1.78 | 454 | ≥0.90 | 270 | D | 7 | 313 |
| 240 | 1.88 | 1.22 | 1.51 | 454 | ≥0.90 | 270 | D | 5 | 313 |
| 277 | 1.67 | 1.08 | 1.35 | 454 | ≥0.90 | 270 | E | 5 | 313 |

PERFORMANCE:

- Electromagnetic Constant Wattage Autotransformer
- Open Core & Coil Construction
- Copper Primary and Aluminum Secondary Windings
- Class H Insulation System (180°C)
- EISA Compliant (E)

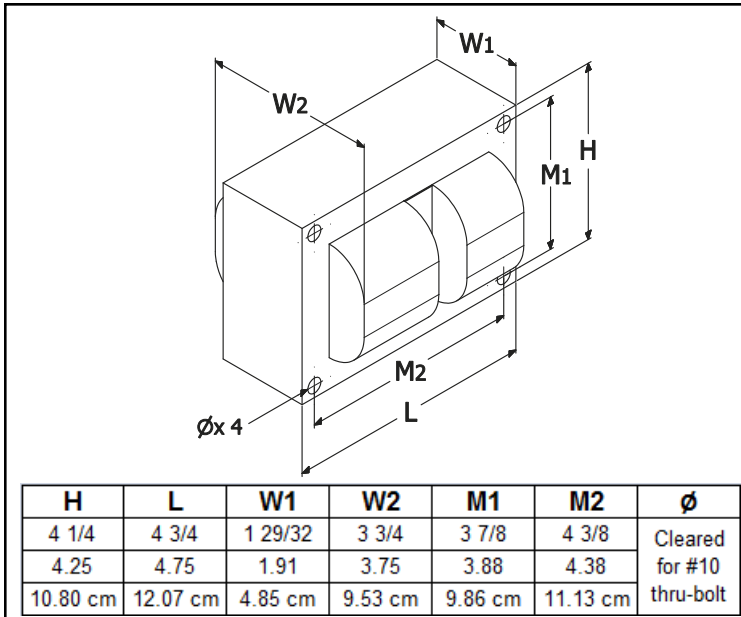
APPLICATION:

- Minimum Starting Temperature: -20°F/-30°C
- Ignitor Temperature Rating: 105°C
- Capacitor Temperature Rating: 100°C
- Remote Mounting (Ballast to Lamp): 10 ft.

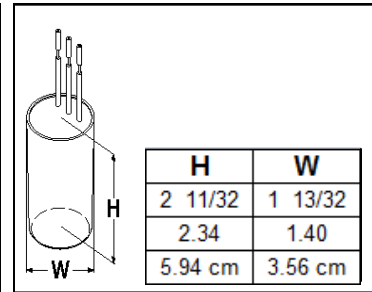
SAFETY:

- UR/1029 Recognized Component
- CSA/C22.2
- No PCBs
- RoHS Compliant

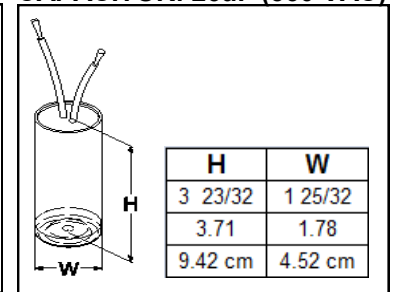
CASE STYLE: 451



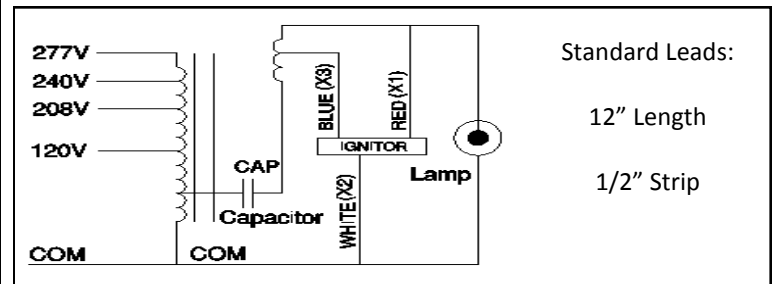
IGNITOR: 698007



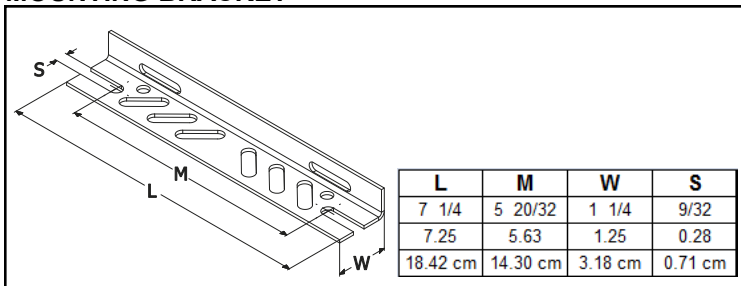
CAPACITOR: 26uF (360 VAC)



WIRING DIAGRAM: 313



MOUNTING BRACKET



BALLAST KIT CONTENTS:

- | | |
|--------------------------------|----------------|
| 1 BALLAST | 2 LOCK WASHERS |
| 1 CYLINDRICAL IGNITOR (698007) | 4 FLAT WASHERS |
| 1 CAPACITOR (26uF 360 VAC) | 3 WIRE NUTS |
| 1 MOUNTING STRAP (IGNITOR) | |
| 2 MOUNTING BRACKETS | |
| 2 MACHINE SCREWS #8-32 | |
| 2 HEX MACHINE SCREW NUTS #8-32 | |

WARRANTY:

Robertson Worldwide warrants to the purchaser the ballast will be free from defects in material or workmanship for a period of two years from the date of manufacture when properly installed and under normal conditions of use. For more information on Robertson Worldwide ballasts, call 1-800-323-5633 or visit www.robertsonww.com. Specifications subject to change without notice. Revised 06/22/2011.

ROBERTSON WORLDWIDE

13611 Thornton Road, Blue Island, IL 60406 | TEL: 1-800-323-5633 | FAX: 1-877-388-2420 | www.robertsonww.com