

**ISL332T8HEMVL**

Ballast Type: Electronic  
 Input Voltage: 120-277VAC ±10%  
 Input Frequency: 50/60 Hz.

Starting Method: Instant Start  
 Lamp Connection: Parallel  
 Unit Color: Galvanized

Unit Weight: 1.3 lb.  
 Carton Quantity: 40  
 Skid Quantity: 1000

**ELECTRICAL SPECIFICATION:**

Line Voltage (V)	Lamp Type	Lamp Watts	No. of Lamps	Line Current (A)	Input Power (W)	Power Factor	Max Current THD (%)	Current Crest Factor	Ballast Factor	Wiring Diagram	B.E.F.
120	F17T8	17	2	0.26	30	≥0.95	≤15	≤1.6	0.92	046	3.06
277	F17T8U			0.11	29						3.17
120	F17T8	17	3	0.34	40	≥0.98	≤10	≤1.6	0.79	046	1.97
277	F17T8U			0.14	39						2.03
120	F25T8	25	2	0.37	43	≥0.97	≤12	≤1.6	0.90	046	2.09
277	F25T8U			0.16	42						2.14
120	F25T8	25	3	0.48	57	≥0.98	≤10	≤1.6	0.78	046	1.37
277	F25T8U			0.21	56						1.39
120	F32T8/ES/28	28	2	0.39	46	≥0.99	≤10	≤1.5	0.77	046	1.65
277				0.17	48	≥0.97			0.81		1.68
120	F32T8/ES/28	28	3	0.54	65	≥0.98	≤10	≤1.6	0.76	046	1.17
277				0.24	65						1.17
120	F32T8	32	2	0.48	57	≥0.98	≤10	≤1.6	0.88	046	1.54
277	F32T8U			0.21	56						1.57
120	F32T8	32	3	0.62	73	≥0.98	≤10	≤1.6	0.77	046	1.05
277	F32T8U			0.27	72						1.07
120	F40T8	40	2	0.55	65	≥0.98	≤10	≤1.6	0.82	046	1.26
277				0.25	64						1.28

**PERFORMANCE:**

- High efficiency electronic ballast
- Instant Start
- Parallel operation
- High power factor
- Encased & potted
- Sound rated A
- Internal surge protection
- Meets ANSI standard C82.11
- Meets ANSI standard C62.41
- Meets FCC Part 18 (Class A) EMI and RFI non-consumer limits
- Meets NEMA Premium/CEE Standards for Energy Efficiency

**APPLICATION:**

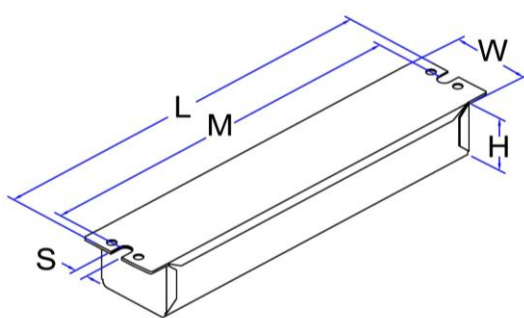
- Maximum case temperature: 167°F/75°C
- Maximum ambient temperature: 104°F/40°C
- Minimum starting temperature Std. lamps:-20°F/-29°C
- Minimum starting temperature ES lamps:60°F/16°C
- Lamp starts: >15,000 starts
- Remote mounting: 18 ft.

**SAFETY:**

- UL/935 (Class P, Type HL, Type 1 outdoor) listed
- CSA certified (cUL)
- Inherent Thermal Protection
- No PCB's
- RoHS Compliant

**STYLE:**

**12A**



H	W	L	M	S
1 5/32	1 11/16	9 1/2	8 15/16	9/32
1.16	1.69	9.50	8.94	0.28
2.95cm	4.29cm	24.13cm	22.71cm	0.71cm

**WARRANTY:**

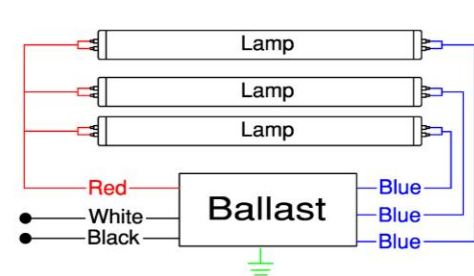
Robertson Worldwide warrants to the purchaser that this ballast will be free from defects in material or workmanship for a period of 5 years from date of manufacture when properly installed and under normal conditions of use. For more information on Robertson Worldwide ballasts, call 1-800-323-5633 or visit [www.robertsonww.com](http://www.robertsonww.com). Specifications subject to change without notice.

Revised 12/20/10

**ROBERTSON WORLDWIDE**

 13611 Thornton Rd, Blue Island, IL 60406, TEL: 1-800-323-5633, FAX: 1-877-388-2420, [www.robertsonww.com](http://www.robertsonww.com)
**WIRING DIAGRAM:**

**046**



For 2 Lamp applications, cap any unused blue lead, insulate 600V.

Standard lead lengths:

- Blk: 24"
- Wht: 24"
- Red: 48"
- Blu: (3) 34"

\* 3/8 Strip