

PSL132T8MV3D

STEP DIMMING

Ballast Type: Electronic
 Input Voltage: 120-277VAC ±10%
 Input Frequency: 50/60 Hz.

Starting Method: Programmed Start
 Lamp Connection: Series
 Unit Color: Black

Unit Weight: 1.2 lb
 Carton Quantity: 10
 Skid Quantity: 1000

ELECTRICAL SPECIFICATION:

Line Voltage (V)	Lamp Type	Lamp Watts	No. of Lamps	Line Current (A)	Input Power (W)	Power Factor	Max Current THD (%)	Current Crest Factor	Ballast Factor	B.E.F.	Dim Setting
120	F32T8*	32	1	0.28	34	≥0.98	≤10	≤1.6	1.00	2.94*	High
277	F32T8U*			0.13							
120	F32T8	32	1	0.15	17	≥0.98	≤10	≤1.6	0.40	2.35	Med
277	F32T8U			0.07							
120	F32T8	32	1	0.07	9	≥0.93	≤15	≤1.7	0.10	1.11	Low
277	F32T8U			0.04							
120	F25T8	25	1	0.22	26	≥0.98	≤10	≤1.6	1.00	3.85	High
277	F25T8			0.10							
120	F25T8	25	1	0.11	13	≥0.98	≤10	≤1.6	0.40	3.07	Med
277	F25T8			0.05							
120	F25T8	25	1	0.05	6	≥0.93	≤15	≤1.7	0.10	1.66	Low
277	F25T8			0.03							
120	F17T8	17	1	0.16	20	≥0.98	≤10	≤1.6	1.03	5.15	High
277	F17T8			0.08		≥0.95					
120	F17T8	17	1	0.08	10	≥0.98	≤10	≤1.6	0.43	4.30	Med
277	F17T8			0.04		≥0.95					
120	F17T8	17	1	0.05	6	≥0.98	≤15	≤2.0	0.15	2.50	Low
277	F17T8			0.03		≥0.91					

PERFORMANCE:

- Electronic ballast
- Program start
- Series operation
- High power factor
- Encased & potted
- Sound rated A
- End of Lamp Life protection
- Meets FCC Part 18 (Class A) for EMI and RFI non-consumer limits
- Meets ANSI standard C82.11
- Meets ANSI standard C62.41
- Meets efficiency specifications for California Title 24
- Step dimming (100% - 40% - 10%)
- Operating frequency 42-72 kHz
- Meets NEMA Premium/CEE Specifications for Energy Efficiency*

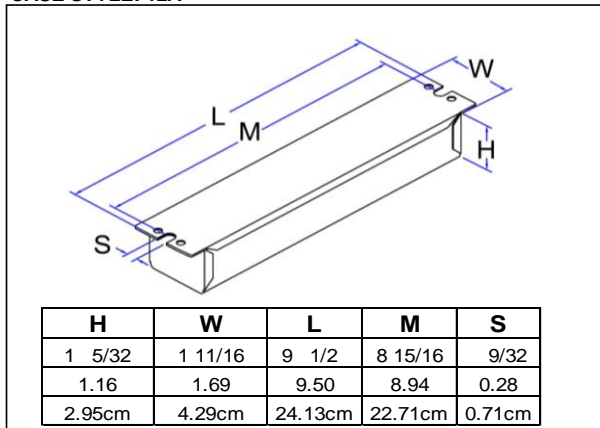
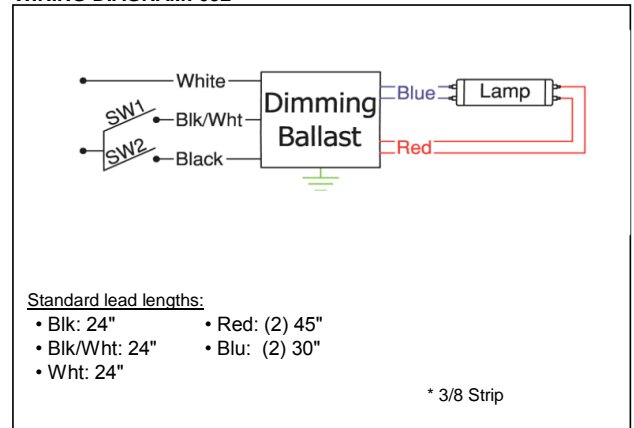
APPLICATION:

- Maximum case temperature: 167°F/75°C
- Maximum ambient temperature: 104°F/40°C
- Minimum starting temperature: 32°F/0°C
- Lamp starts: >50,000 starts
- Remote mounting: 10 ft.

SAFETY:

- UL/935 (Class P, Type HL, Type 1 outdoor) listed
- CSA certified (cUL)
- Inherent Thermal Protection
- No PCB's
- RoHS Compliant

SW1	SW2	LIGHT LEVEL
ON	OFF	10%
OFF	ON	40%
ON	ON	100%

CASE STYLE: 12A

WIRING DIAGRAM: 092

WARRANTY:

Robertson Worldwide warrants to the purchaser that this ballast will be free from defects in material or workmanship for a period of 5 years from date of manufacture when properly installed and under normal conditions of use. For more information on Robertson Worldwide's ballasts, call 1-800-323-5633 or visit www.robertsonww.com. Specifications subject to change without notice.